

8 7 6 5 4 3 2 1

D

D

C

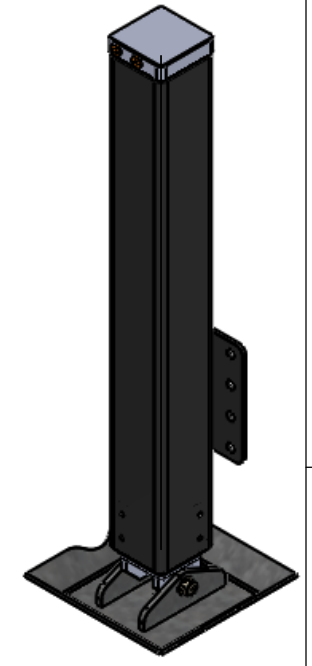
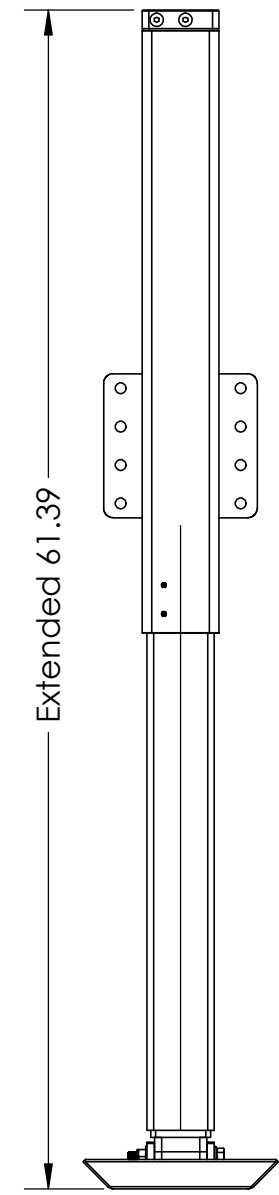
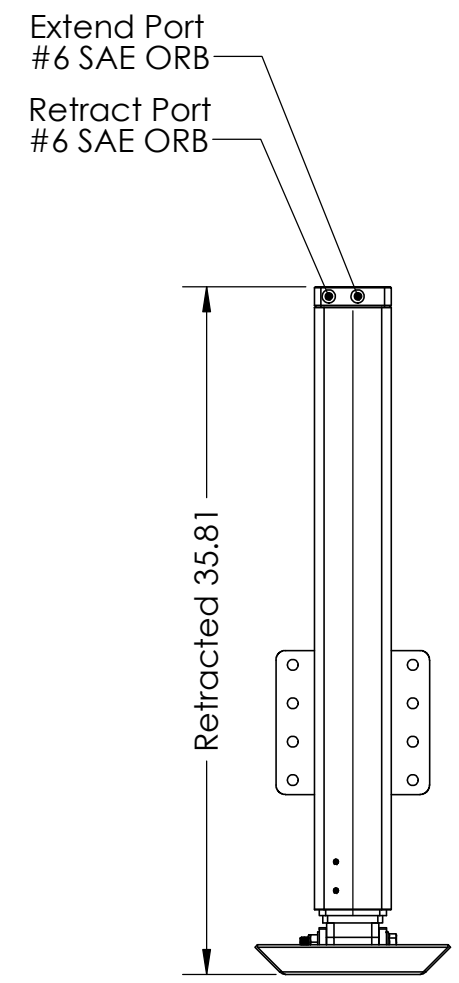
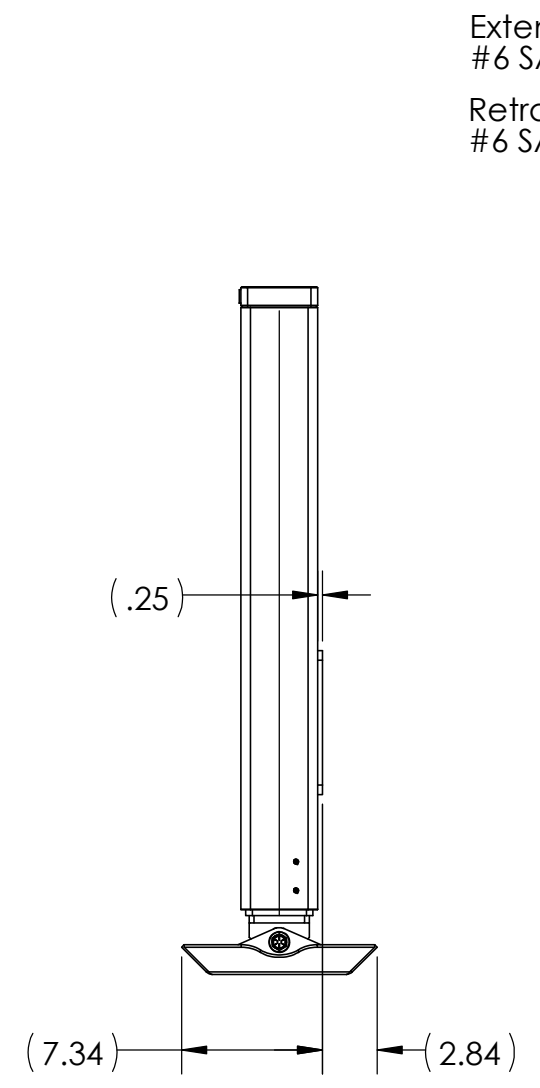
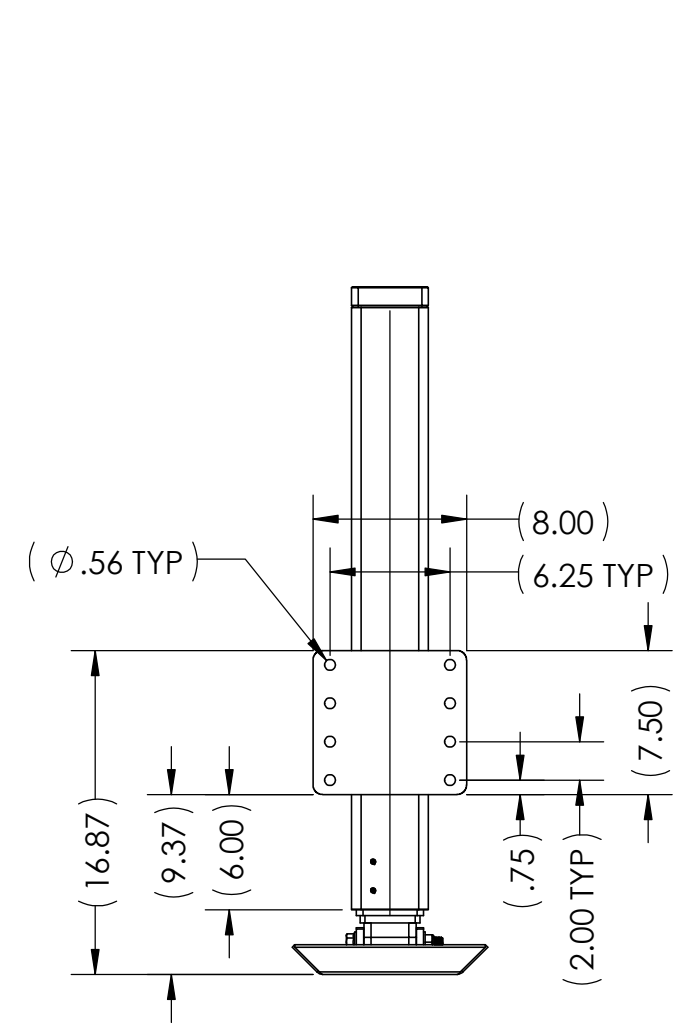
C

B

B

A

A



REV	DATE	REVISION DESCRIPTION	DWN	APPV

UNLESS OTHERWISE SPECIFIED:
 INTERPRET GEOMETRIC
 TOLERANCING PER: ASME Y14.5-2009
 DO NOT SCALE DRAWING
 MANUAL CHANGES PROHIBITED

US Customary Inits (IN)

TOLERANCES:
 ANGULAR: ±2°
 [INCHES] MM
 X.X ±.1 X ±3
 X.XX ±.01 X.X ±.3
 X.XXX ±.005 X.XX ±.13

THIRD-ANGLE PROJECTION

Stillwell

Stillwell Jacks Inc.
 14450 W Burnsville PKWY
 Burnsville, MN 55306

DRAWN	NAME TEA	DATE 02/27/2017	TITLE: Atlas Jack II with Universal Mounting Plate	
COMMENTS:			SIZE B	DWG. NO. 100027
MATERIAL: See Components			VER 1	REV A
COLOR: Natural			SCALE 1:10 Vol: NA IN ³ SHEET 2 OF 2	
FINISH: Natural				

PROPRIETARY AND CONFIDENTIAL THE INFORMATION CONTAINED IN THIS DRAWING IS THE SOLE PROPERTY OF Stillwell Jacks Inc. ANY REPRODUCTION IN PART OR AS A WHOLE WITHOUT THE WRITTEN PERMISSION OF Stillwell Jacks Inc. IS PROHIBITED.

8 7 6 5 4 3 2 1